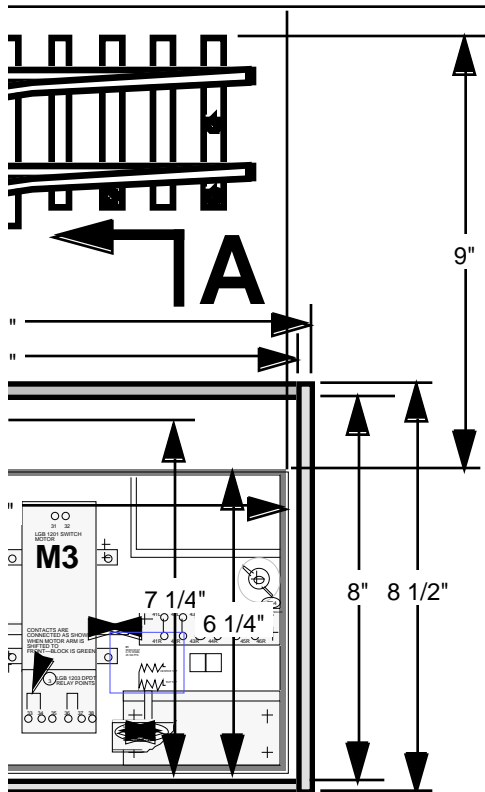


Summary: This sheet shows suggested dimensions for a building to cover the control unit.



TOP VIEW — ROOF
REMOVED

IMPORTANT: VERIFY THAT THESE INSIDE DIMENSIONS ARE ADEQUATE FOR YOUR PARTICULAR UNIT

TRACK
THIS SIDE

